

**PCC**<sup>®</sup>  
POLLUTION CONTROL CORP.

# THE CONTAINMENT STANDARD

SAVES SPILLS, MONEY, AND CLEAN UPS

**PCC**<sup>®</sup> TRAPPER  
STUFFING BOX CONTAINMENT



**PCC**<sup>®</sup> 301  
LOAD LINE CONTAINMENT

LEADERS IN ENVIRONMENTAL CONTAINMENT SINCE 1992  
AMERICAN OWNED

**PCC 300**  
POLLUTION CONTROL CORP.

**3 Gal.**

U.S. Patents 9,151,428 - 7,921,884 - 7,673,658  
Canadian Patent 2,682,171



**PCC 301**  
POLLUTION CONTROL CORP.

**6 Gal.**

U.S. Patents 9,151,428 - 7,921,884 - 7,673,658  
Canadian Patent 2,682,171



**PCC 302**  
POLLUTION CONTROL CORP.

**9 Gal.**

U.S. Patents 9,151,428 - 7,921,884 - 7,673,658  
Canadian Patent 2,682,171



**PCC 303**  
POLLUTION CONTROL CORP.

**29 Gal.**

U.S. Patents 7,673,658  
Canadian Patent 2,682,171



Pollution Control Corp. has been providing Oilfield and Industrial Containment Systems since 1992. PCC has a diverse product line of Load Line Containment Systems, ranging from 3 to 29 gallon capacity. The containers are manufactured with UV resistant polyethylene and are available in three colors.

**WARNING:** PCC Loadline Containers are to be used only for the loading and unloading of crude oil and saltwater only at atmospheric pressure. Use of PCC Loadline Containers for loading and unloading of other materials besides crude oil and salt water and/or at other than atmospheric pressures and/or Collar Flow Pressure exceeding 75 psi, could result in serious personal injury or death, and could cause extensive property damage.

U.S. Patents  
9,151,428 - 7,921,884 - 7,673,658  
Canadian Patent  
2,682,171

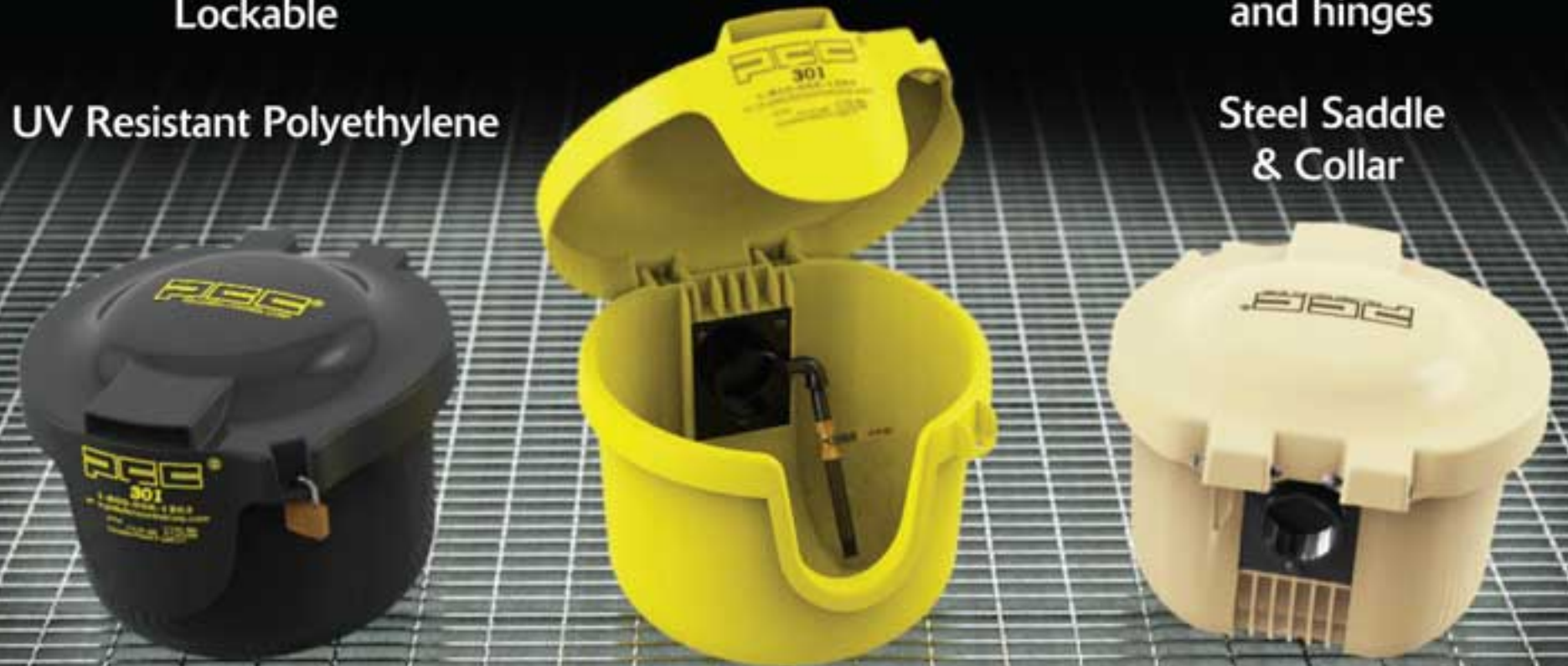
**PCC 301**  
POLLUTION CONTROL CORP.

Lockable  
UV Resistant Polyethylene

Sidewinder  
Assembly

Stainless steel bolts  
and hinges

Steel Saddle  
& Collar



**Load Line Containment - Technical Specifications**

Specifications	300	301	302	303
Distance from the ground to the bottom of a 3 inch collar	 4.75"	 7.5"	 7"	 17"
Capacity (Gal.)	3	6	9	29
Weight (lbs)	20	25	35	31
Height (in.)	13.5	16.5	19.5	30
Width (in.)	19.25	21.5	26	26
Front to Back (in.)	18.5	21.5	27.5	27.5
Sidewinder	Standard	Standard	Optional	Optional

\*UPS charges are based on box size versus actual weight.

# THE CONTAINMENT STANDARD

## LOAD LINE CONTAINMENT

Quality UV resistant polyethylene.  
Eliminates expensive clean up at loading and unloading areas.  
Sidewinder automatically empties unit while truck is loading product.  
Units can be locked for security.  
Valves can be locked inside the 302 and 303 units.  
Stainless steel bolts and hinges.  
Unit is designed to handle oil and saltwater.  
All units come in 2", 3" or 4" collar sizes. Carbon steel is standard and stainless steel is available on request.  
PCC 303 has a 4-1/2" hole to accommodate all pipes sizes.  
Taller lids available on the 302 and 303 to accommodate gate valves.

PCC LOAD LINE CONTAINERS are available in yellow, tan or black



Sidewinder Assembly  
Optional - 302 & 303  
Camlock Fitting Not Included



PCC 302 & 303 units can be locked with valves inside.  
PCC 302 & 303 have optional sidewinder installed after the valve.  
Automatically empty your Pollution Control container with the sidewinder, while loading product.



PCC Load Line Containers help with compliance of Federal Regulations for spills both inside and outside containment walls



**THE BUILT-IN GASKET SEALS  
AROUND THE FLANGE**



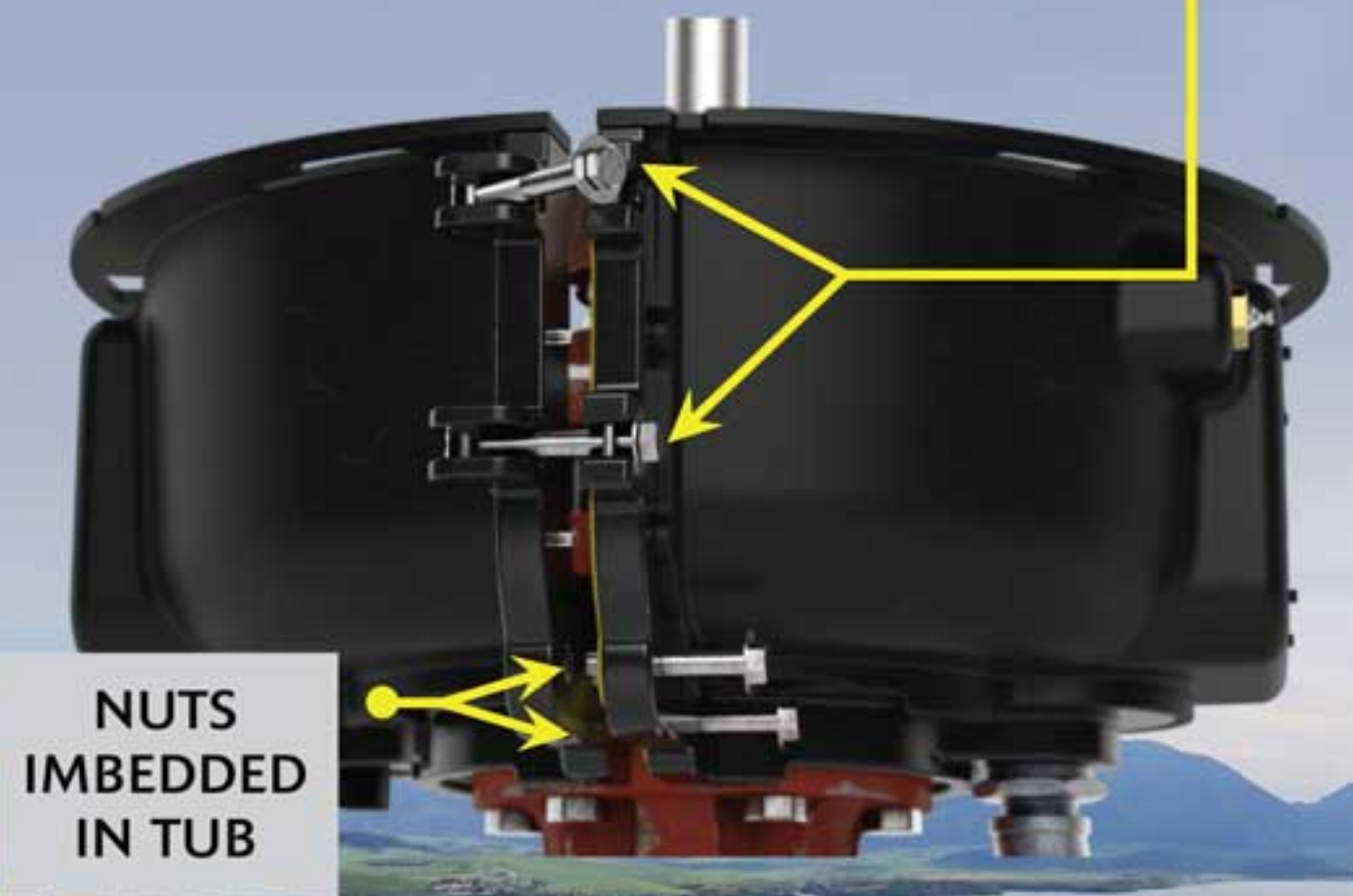
**FLUOROSILICONE  
REUSABLE GASKET**



**SWING HINGE BOLTS CLOSE**

**TIGHTEN ALL 4 BOLTS  
(ALREADY IN PLACE)  
ON BOTH SIDES  
NO INSIDE BOLTS  
SIMPLE FAST INSTALLATION**

**BOTTOM DRAIN**



**NUTS  
IMBEDDED  
IN TUB**

# THE CONTAINMENT STANDARD

**PCC** POLLUTION CONTROL CORP. **TRAPPER**  
**F8 PLUS & F8 MAX**

US PATENTS 9,920,586 - 10,094,205 - 10,287,862  
CANADIAN PATENTS 2,916,491 2,924,910 - 3,077,697



30 lbs.

METAL FRAME WITH FLANGE SEAL  
NON-CORROSIVE POLY TUB



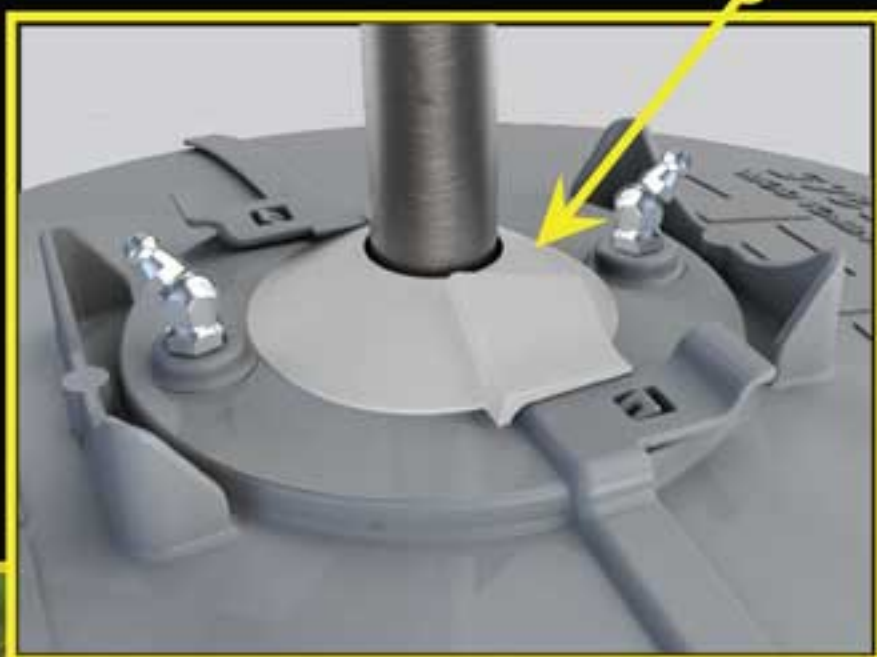
41 lbs.

METAL FRAME WITH FLANGE SEAL  
CORROSION RESISTANT METAL TUB

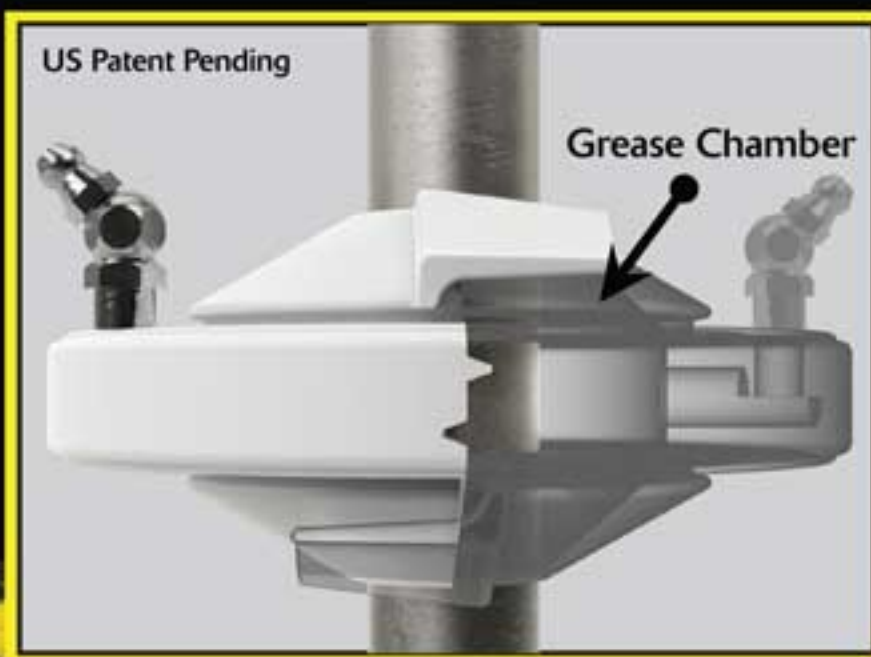
## LOST PRODUCTION?

LID REPELS RAIN WATER TO PREVENT SHUTDOWN CAUSING LOST PRODUCTION

WIPERS FOR 1.25", 1.5" AND 1.75" POLISHED RODS INCLUDED. 2" WIPERS AVAILABLE.



SELF-CENTERING LID



REPLACEABLE WIPERS

4 LID SIZES AVAILABLE

3"



7"



11"



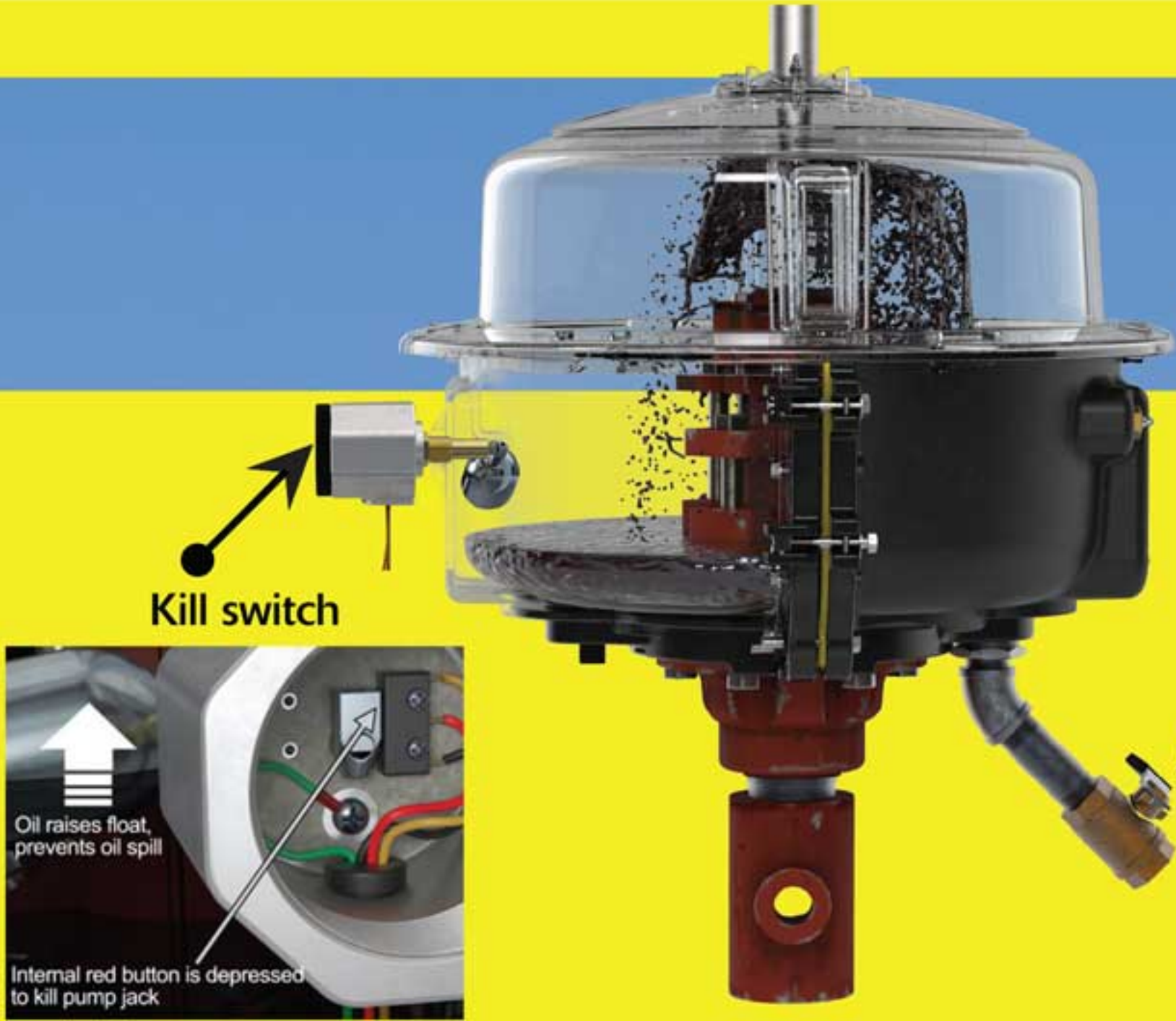
14"





# THE CONTAINMENT STANDARD

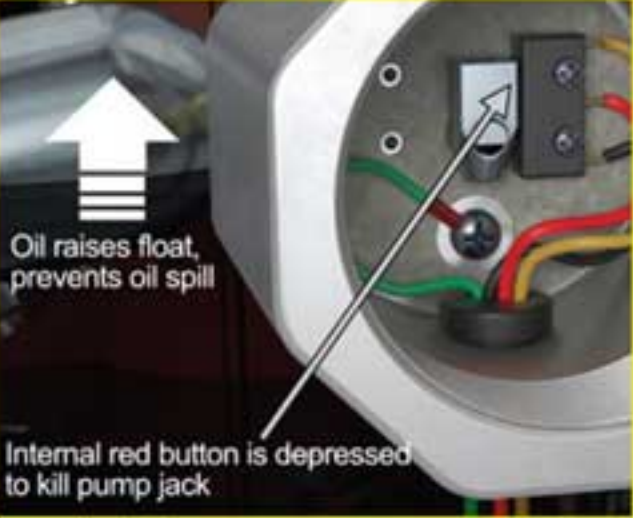
**PCC TRAPPERS CAN BE CONFIGURED IN TWO DIFFERENT WAYS.**



## MODEL PCCF8-KS TRAPPER KILL (FLOAT) SWITCH AND DRAIN VALVE CONFIGURATION

Kill switch

Drain valve



Oil raises float,  
prevents oil spill  
Internal red button is depressed  
to kill pump jack



## TRAPPER CONTAINER CONFIGURATION

1 1/2" hose and clamps  
available at supply store

Hose barb

Optional kill  
(float) switch

40 Gallon Container

Secure container



**PCC** POLLUTION CONTROL CORP. **TRAPPER**  
**F8 PLUS & F8 MAX**

**GREASE HOSE ASSEMBLY WITH  
CHECK COUPLER PROVIDES  
SAFETY / SAVES TIME**



**GREASE THE STUFFING BOX  
WITHOUT REMOVING THE LID**

grease zerks



**For Canadian Inquiries Contact:**



**WESTERN  
OILFIELD  
SPECIALTIES CORP.**

Western Oilfield Specialties Corp.  
[www.wos.ca](http://www.wos.ca)

Phone: (780) 437-7733

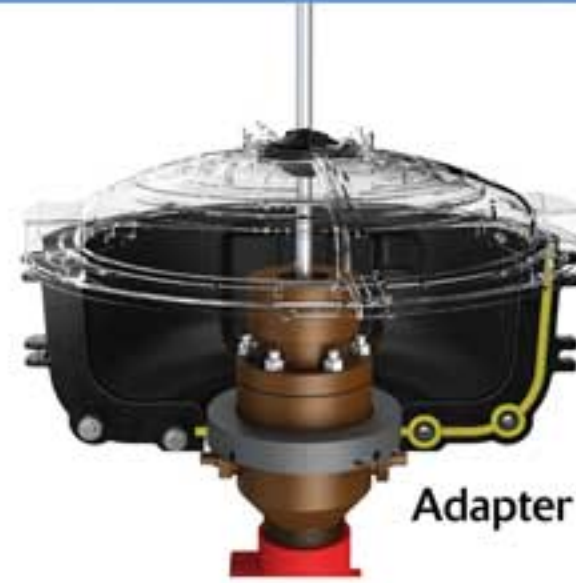
**3" LID HEIGHT**



Big Stuff Dual Pack  
w/ Check Valve



Big Stuff Dual Pack



Weir Seaboard 5k

Adapter Plate



Harbison Fischer  
Quik-Seal/Opal Pro-Align

Adapter Plate

**7" LID HEIGHT**



Dual or Double Pack



Big Stuff Dual Pack  
w/ Lubricator



Weir Seaboard 5k  
w/ Lubricator

Adapter Plate



Harbison Fischer  
w/ Lubricator

Adapter Plate

**11" LID HEIGHT**



Dual or Double Pack  
w/ Lubricator

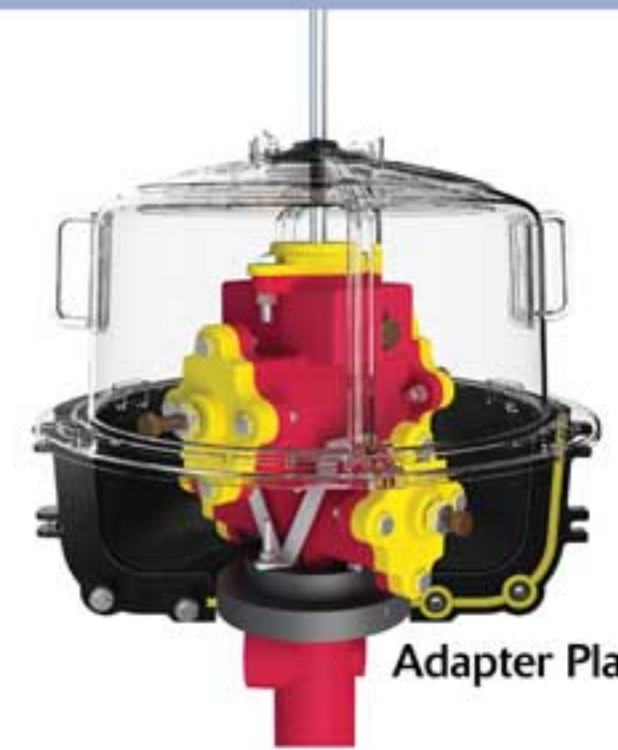


Skinner Tee Base  
w/ Lubricator

Adapter Plate



Pollution Control Stuffing Box



Skinner Cross Twin

Adapter Plate





# TRAPPER F8 PLUS & F8 MAX



Ratigan



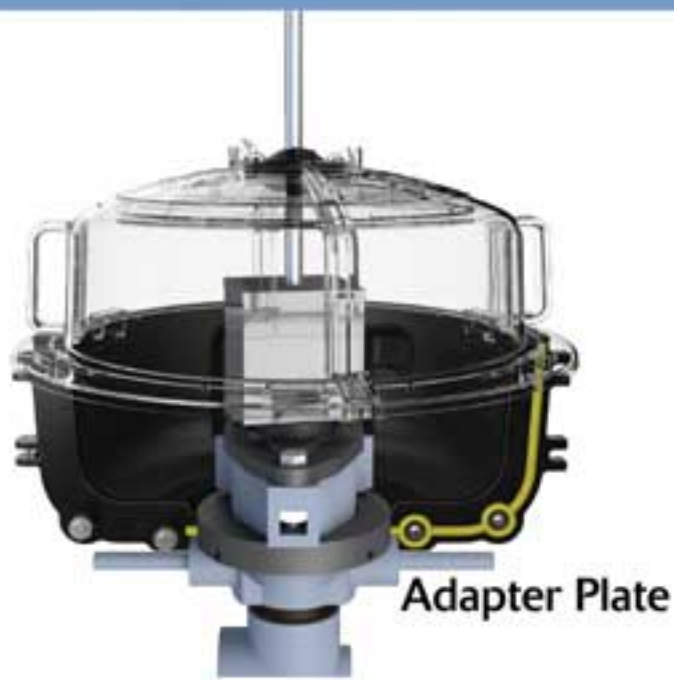
Big Stuff Single Pack



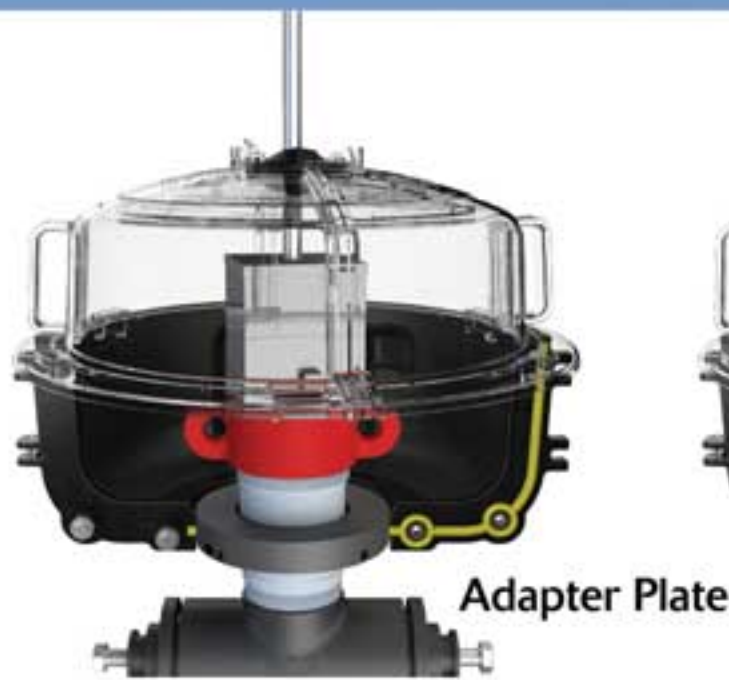
Iron Mule



Jack Box  
(Call for info)



Ratigan  
w/ Lubricator



Big Stuff Single Pack  
w/ Lubricator



Iron Mule  
w/ Lubricator



Skinner Tee Base

## 14" LID HEIGHT



Pollution Control Stuffing Box  
w/ Lubricator



Skinner Cross Twin  
w/ Lubricator

## 7" LID HEIGHT



Single pack  
Mounts to Pumping Tee  
(Call for info)



# THE CONTAINMENT STANDARD

## PCC 400

### Pollution control cone

Designed to withstand the elements  
 Constructed of long lasting galvanized metal  
 Sizes: 4", 6", 8", 10", 12", 14"  
 For 16" and above call for Quote.  
 For custom sizes and stainless call for Quote.



## PIG CATCHERS NEW DESIGN

### 42 D

Height 30", Height with Lid 34"  
 Width 42", Depth 40"  
 Weight 105 lbs.  
 110 gallon capacity  
 Swivel lid  
 Double walled



Lid in open position

Patent Pending

### 42 D-18

Height 18", Height with Lid 22"  
 Width 42", Depth 40"  
 Weight 87 lbs.  
 50 gallon capacity  
 Swivel lid  
 Double walled



Lid in open position

Patent Pending

### 24 D

Height 30", Height with Lid 34"  
 Width 24", Depth 23"  
 Weight 57 lbs.  
 29 gallon capacity  
 Swivel lid  
 Double walled



Lid in open position

Patent Pending

### 390

Height 49", Height with Lid 53"  
 Width 36", Depth 34"  
 Weight 100 lbs.  
 90 gallon capacity  
 Swivel lid  
 Double walled



Lid in open position

Patent Pending

Meets requirements of NFPA 70, NFPA 77, and API 2003 when used as directed for combinations of natural gas hydrates and pipe sludge from natural gas gathering and transmission pipelines carrying previously unprocessed (raw) natural gas from the wellhead or from storage; or crude oil and crude oil sludges from gathering and transmission lines carrying previously unprocessed crude oils from the wellhead or from storage.

All PCC Pig Catchers are double walled so they can be buried and include an expanded metal screen to catch pig. Grounding Kit Included.

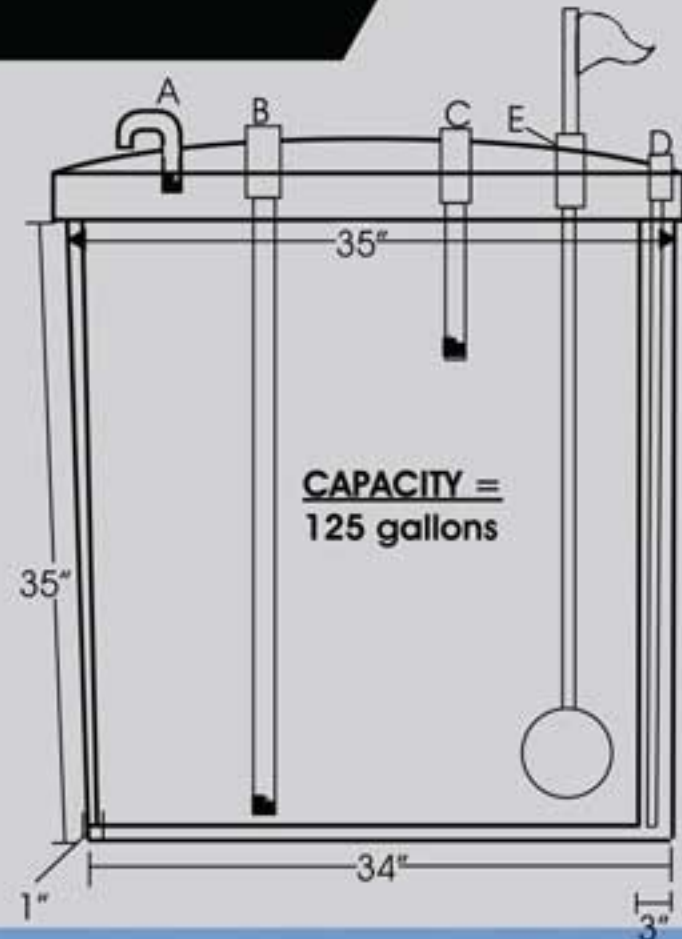
# THE CONTAINMENT STANDARD

# CONTAINMENT PRODUCTS



## COBRA II

- A. Vent - 1"
- B. Outlet - 3"
- C. Inlet - 3"
- D. Dipstick - 1" collar
- E. Collar - 1" for float
- F. 2" Threaded inlet (optional)
- G. Quality UV resistant fiberglass

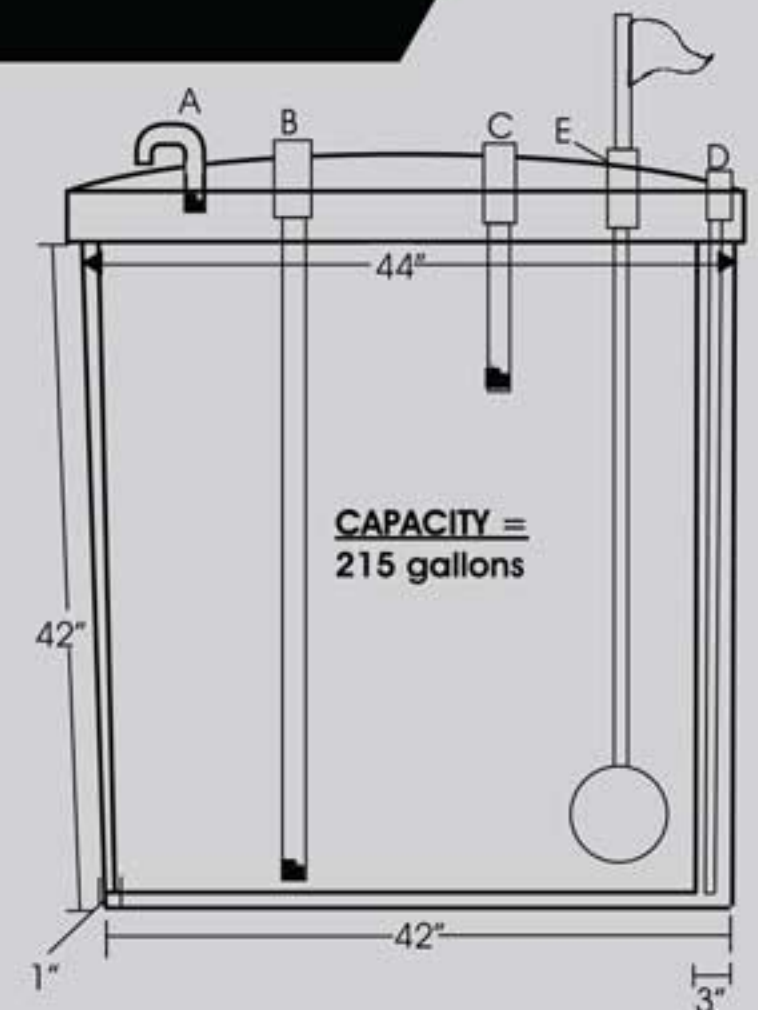


### 125 Gallon double containment sump



## COBRA III

- A. Vent - 1"
- B. Outlet - 3"
- C. Inlet - 3"
- D. Dipstick - 1" collar
- E. Collar - 1" for float
- F. 2" Threaded inlet (optional)
- G. Quality UV resistant fiberglass



## CONTAINMENT TRAYS

Spill Utility Tray  
24" x 48" x 4<sup>3/4</sup>"  
24 gallon capacity



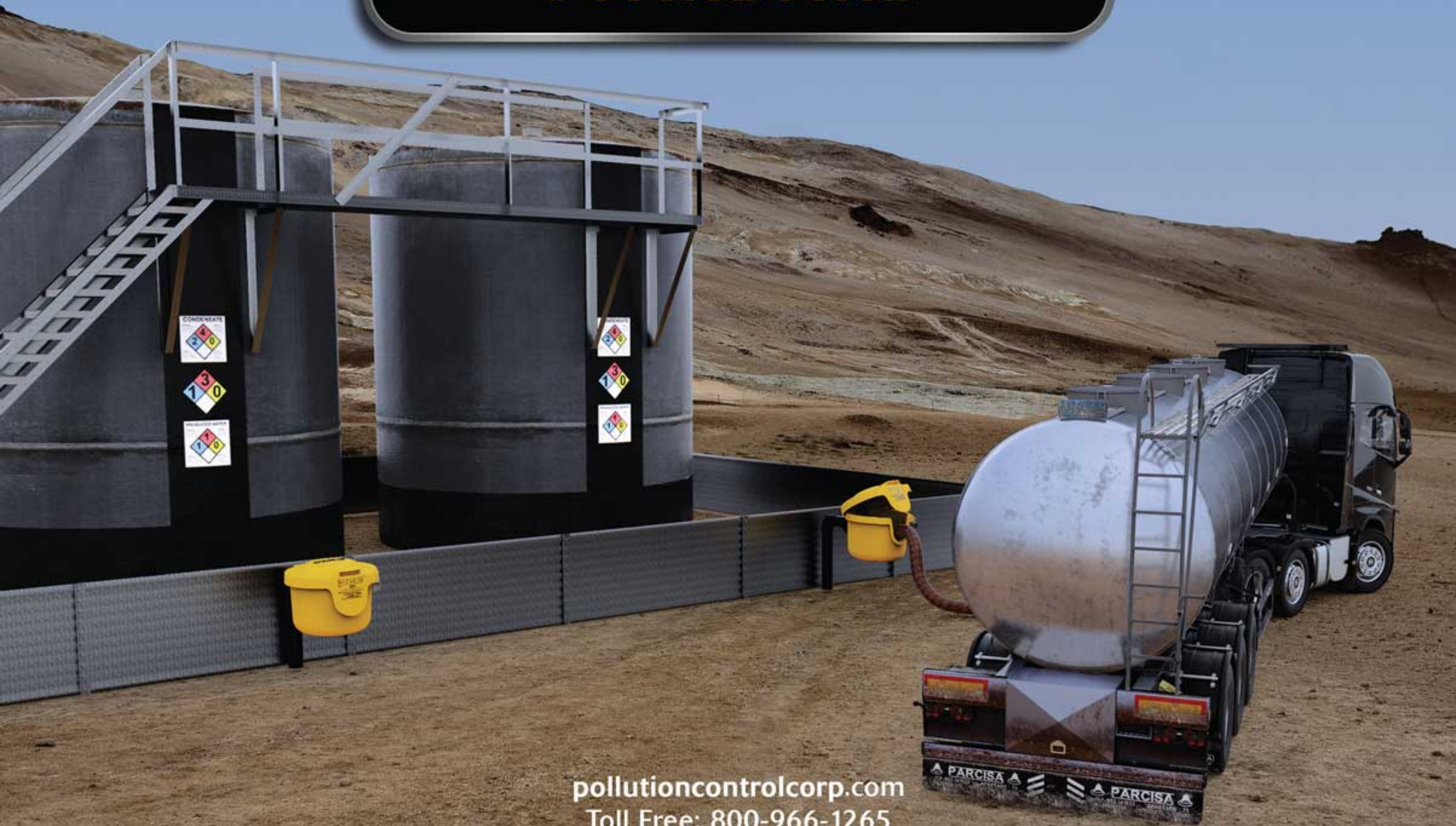
404 Shallow  
30"W x 60"L x 12"H  
90 gallon capacity



SAVES SPILLS, MONEY, CLEAN UPS



**THE CONTAINMENT STANDARD**



[pollutioncontrolcorp.com](http://pollutioncontrolcorp.com)  
Toll Free: 800-966-1265